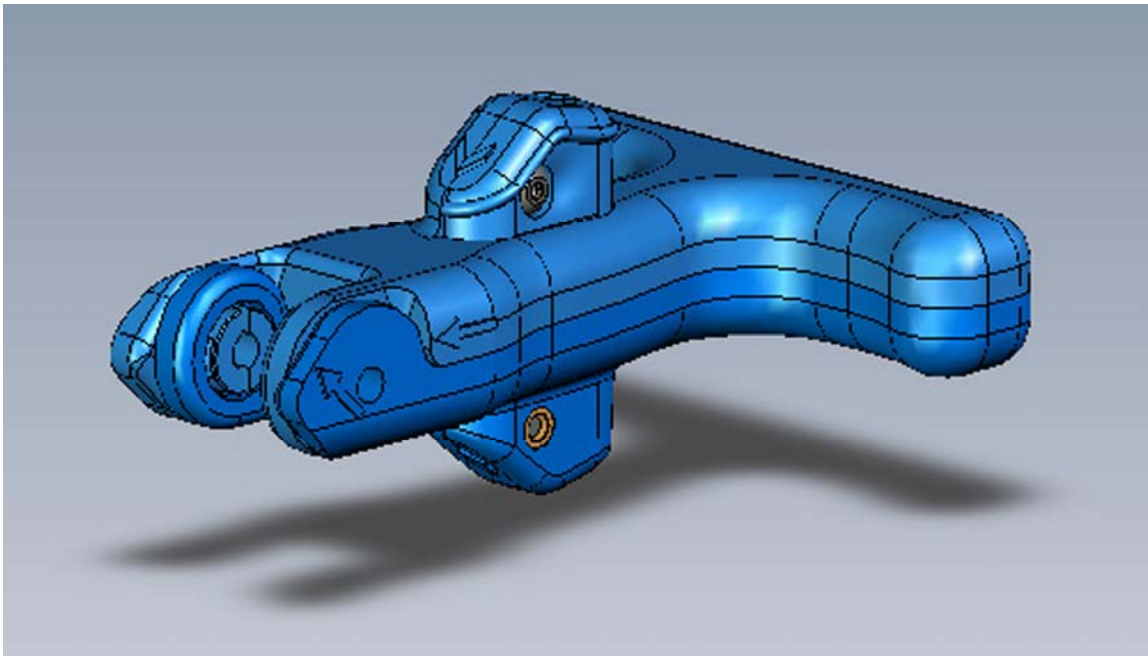


**FOD SPEED SLITTER™**  
(patent pending)  
Fiber Optic Drop Slitting Tool



Developed specifically for FTTH technicians working with flat fiber drop cables, the FOD SPEED SLITTER™ opens cable jackets easily and safely with one pull! A simple twist of the cable allows the jacket and strength members to separate from the buffer tube leaving the fiber undamaged. Just snip off the loosened jacket and splice! Works on most flat fiber drop cables.

**Mid-span access is a snap!**

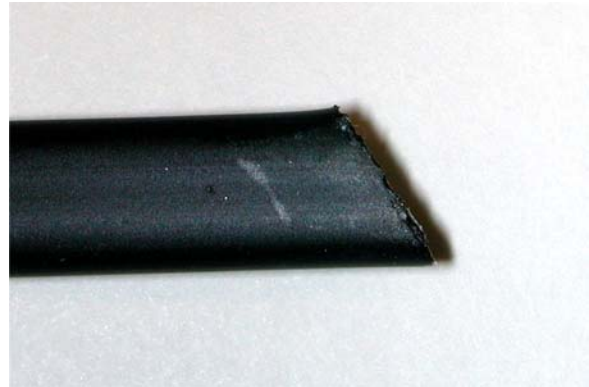
Part Number	Case Quantity
ACFO2000	12
AC11782B	50 (10 pkgs of 5 blades)

FOD SPEED SLITTER™ Ranges
Width: 0.305-0.350 Inches
Thickness: 0.155-0.185 Inches
Jacket Thickness: 0.03-0.04 Inches

Call your local distributor or **a**ccensus at 888-352-3889.

## FOD SPEED SLITTER™ HELPFUL HINTS

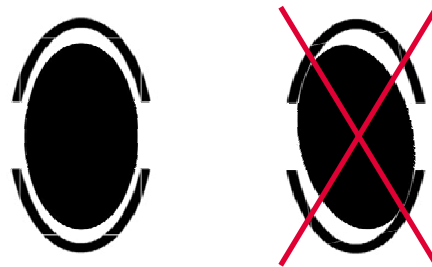
When cutting cable prior to removing jacket, cutting the end to be stripped at an angle (see figure 1) will typically make separating the jacket easier.



*Figure 1*

When stripping larger cables, less pressure (squeeze) is needed to open jacket. Excessive pressure will cause cable to drag and therefore be harder to pull through tool.

When inserting cable into tool, try to keep cable position as straight as possible in the channel. (see figure 2)



*Figure 2*

When changing blades, ensure blade is fully positioned and seated into blade cap cut out area. Slide cap (blade facing you) into the tool.

Debris may build up in the channel areas after many pulls. Remove the blades and clean debris from channels.

When separating tool for mid span access, align the arrows on the hinge as this will 'unlock' the tool for separation. When reassembling, align arrows again.

**accensus**, a division of Uraseal, Inc.

One Washington Street, Ste 204  
Dover, NH 03820

888-352-3889